



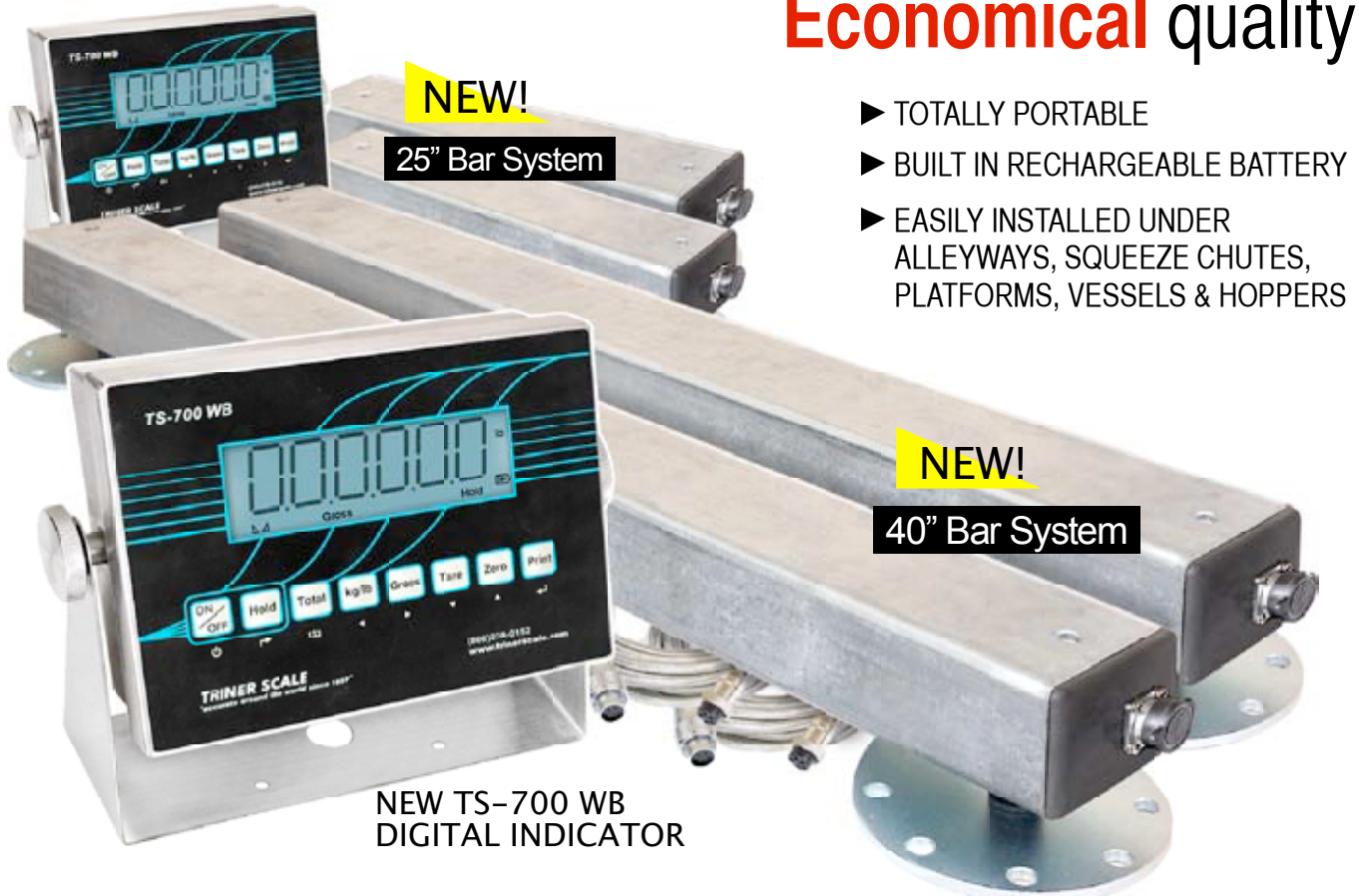
# Weighbar Systems

**5,000 lb Capacity**  
Weigh Bars & Digital Indicator Combo

**Easy** setup

**Dependable** operation

**Economical** quality



**NEW!**  
25" Bar System

- ▶ TOTALLY PORTABLE
- ▶ BUILT IN RECHARGEABLE BATTERY
- ▶ EASILY INSTALLED UNDER ALLEYS, SQUEEZE CHUTES, PLATFORMS, VESSELS & HOPPERS

**NEW!**  
40" Bar System

NEW TS-700 WB  
DIGITAL INDICATOR

## Versatile Weigh Bar Systems by Triner Scale

- INDOOR/OUTDOOR USE
- ADJUSTABLE FEET
- QUICK & EASY SETUP
- QUICK CONNECT CABLES
- HOLD WEIGHT OPTIONS
- COMPLETE WEIGHING SYSTEMS



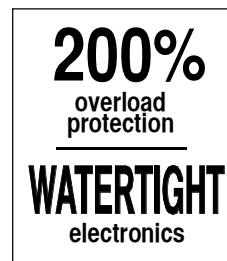
Height-adjustable feet for quick, easy leveling



Stainless steel shielded cables



Socket cover caps protect connectors



Quality components & construction



5,000 lb x 1 lb

**NEW!**

# WEIGHBAR SYSTEMS

Weighbars and Digital Indicator Combo

# TRINER SCALE

"Accurate Around the World Since 1897"

## SPECIFICATIONS

### Weigh Bars

- Capacity: 5,000 lb x 1 lb
- Four premium, alloy steel nickel plated loadcells
- Loadcells are watertight for indoor/outdoor operation
- Loadcell capacity is 2 times the scale capacity
- Built in overload protection
- 15' quick connecting cables (2)
- Integrated 1/2" nuts for top mounts
- Weight:
  - AWB-5K: 25 lb/bar
  - AWB40-5K: 35 lb/bar

### Digital Indicator

- NEMA 4X watertight stainless steel construction
- Bright easy-to-read backlit LCD display
- Lb/kg conversion
- Tare function
- Built in RS-232 communications port accommodates:
  - Printer, or
  - Remote Display, or
  - PC
- Tilt adjustable mounting bracket
- Operates on 110 VAC or internal rechargeable battery, 20+ hours operation per charge

### Optional Accessories

- Printer
- Indicator stand

### Each System Includes

- Two weigh bars
- Two 15 ft. cables, stainless steel shielded, quick connects at both ends
- AC adapter/charger
- Masonry anchor bolts (4)
- Platform/weigh bar bolts(4)
- Operating Manual
- Factory Calibration

## Complete Weighing System: *Simply Connect Cables and Begin Weighing*



Two Weigh Bars With Four Masonry Anchor Bolts

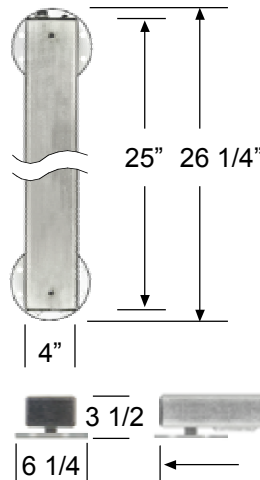


Stainless Steel Shielded Quick Connect Cables

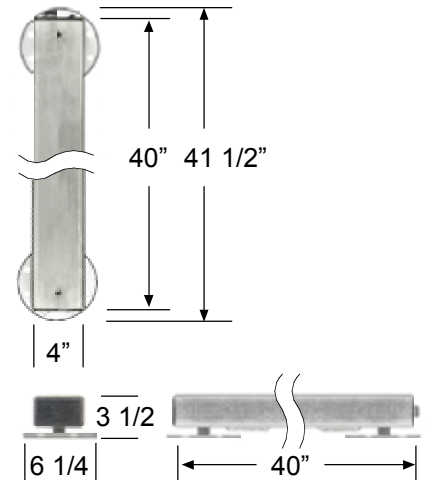


Digital Indicator & AC Adapter/Charger

### AWB-5K Weigh Bars (2)



### AWB40-5K Weigh Bars (2)



### TS-700 WB Weigh Bar Digital Indicator

